



NT71 Quick Couplings

Serving The Nuclear Industry



www.thorburnflex.com

High Quality Custom Flexible Piping Systems

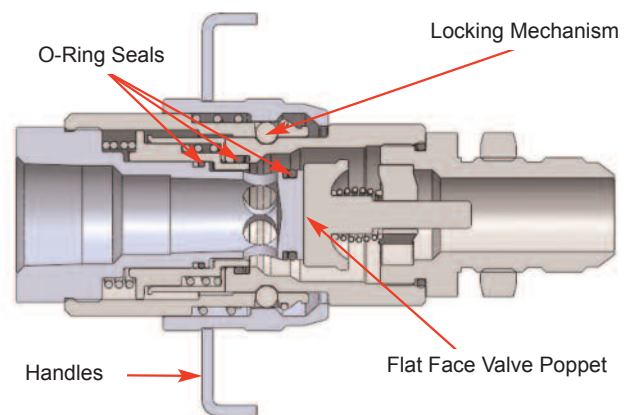
Thorburn Flex Inc is a proven industry leader in the cost effective design, development, manufacturing and supply of ultra-high quality custom flexible piping systems. Thorburn Flex Inc is committed to a policy of continuous development and research to provide flexible piping products that set the industry standard for quality, safety, durability and ease of handling.



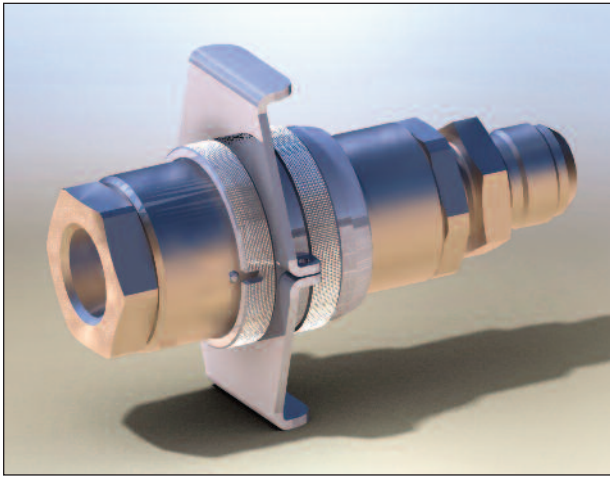
NT71 Dry Break Quick Coupling System

Product Description:

- Minimum Air inclusion and Fluid loss during disconnection
- Easy operation, low pressure connections
- Superior flow and reduced pressure drop
- Standard material: 316 SS, Sizes: from 1/4" to 2"
- Plug body made of SA564 Gr.630 Hardened Material
- Simple Maintenance & Spare part availability
- Special seals available for difficult media
- Design pressures for 1" size 3,000 PSI (184 BAR)
- CRN ASME Section III Sub Section ND Class 3
NFH-3-4284.5 (Coupler) NFH-3-4283.5 (Plug)

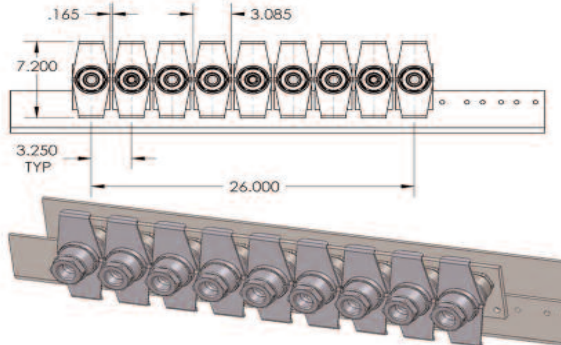


NT71 Series Technical Data

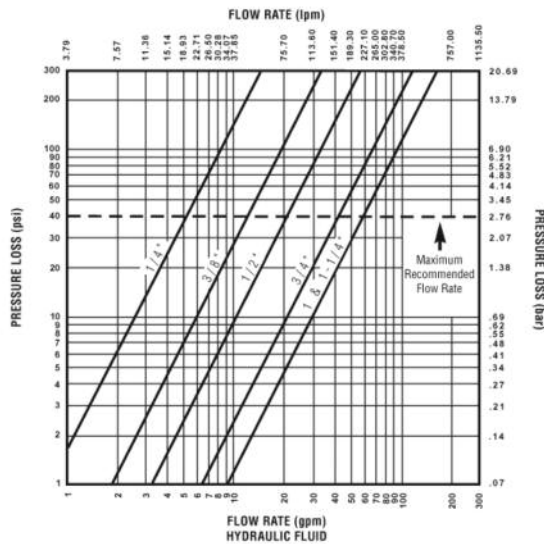


NT71 adaptable handle system to ease connecting/disconnecting

NT71 Manifold Support System



Flow Rate - Pressure Loss Chart



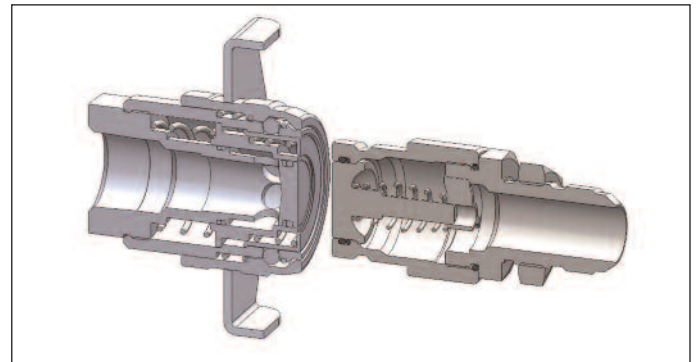
PRESSURE RATINGS - 316 STAINLESS STEEL

| SIZE (INCHES) | SPILLAGE (CC) | AIR INCLUSION (CC) | DESIGN PRESSURE | | MIN BURST | |
|---------------|---------------|--------------------|-----------------|-----|-----------|------|
| | | | PSI | BAR | PSI | BAR |
| 1/4 | .02 | .01 | 3,000 | 207 | 20,000 | 1379 |
| 3/8 | .02 | .02 | 3,000 | 207 | 20,000 | 1379 |
| 1/2 | .03 | .03 | 3,000 | 207 | 20,000 | 1379 |
| 3/4 | .06 | .04 | 3,000 | 207 | 15,000 | 1034 |
| 1 | .10 | .06 | 3,000 | 207 | 15,000 | 1034 |
| 1 1/4 | .10 | .06 | 2,500 | 172 | 15,000 | 1034 |
| 1 1/2 | 5.25 | 30.5 | 2,500 | 172 | 10,000 | 689 |
| 2 | 5.25 | 30.5 | 2,500 | 172 | 10,000 | 689 |

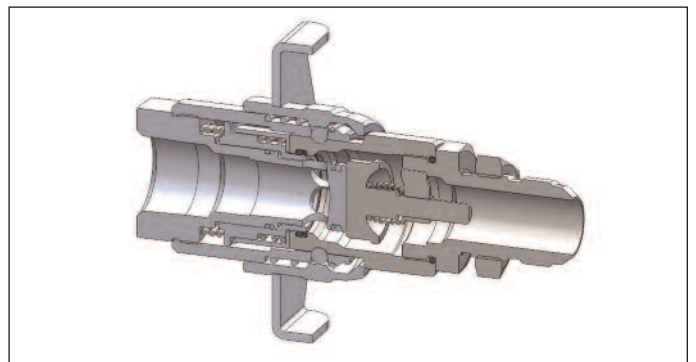
Thorburn Flex NT71 Series Wiggins Comparison

| SPECIFICATION | GE SPECIFICATION No: 38-35230-C-007-001 | THORBURN 1" (25mm) | WIGGINS 1" (25mm) |
|--------------------|---|--------------------|-------------------|
| DESIGN PRESSURE | 2,100 | 2,947 | 1,282 |
| MIN BURST PRESSURE | 14,250 | 20,000 | 8,700 |
| SPILLAGE (ml) | 10 | .01 | 15 |
| PRESSURE DROP | N/A | 8 psi@ 29 gpm | 8 psi@ 29 gpm |

No Spill Connection or Disconnection



Disconnected



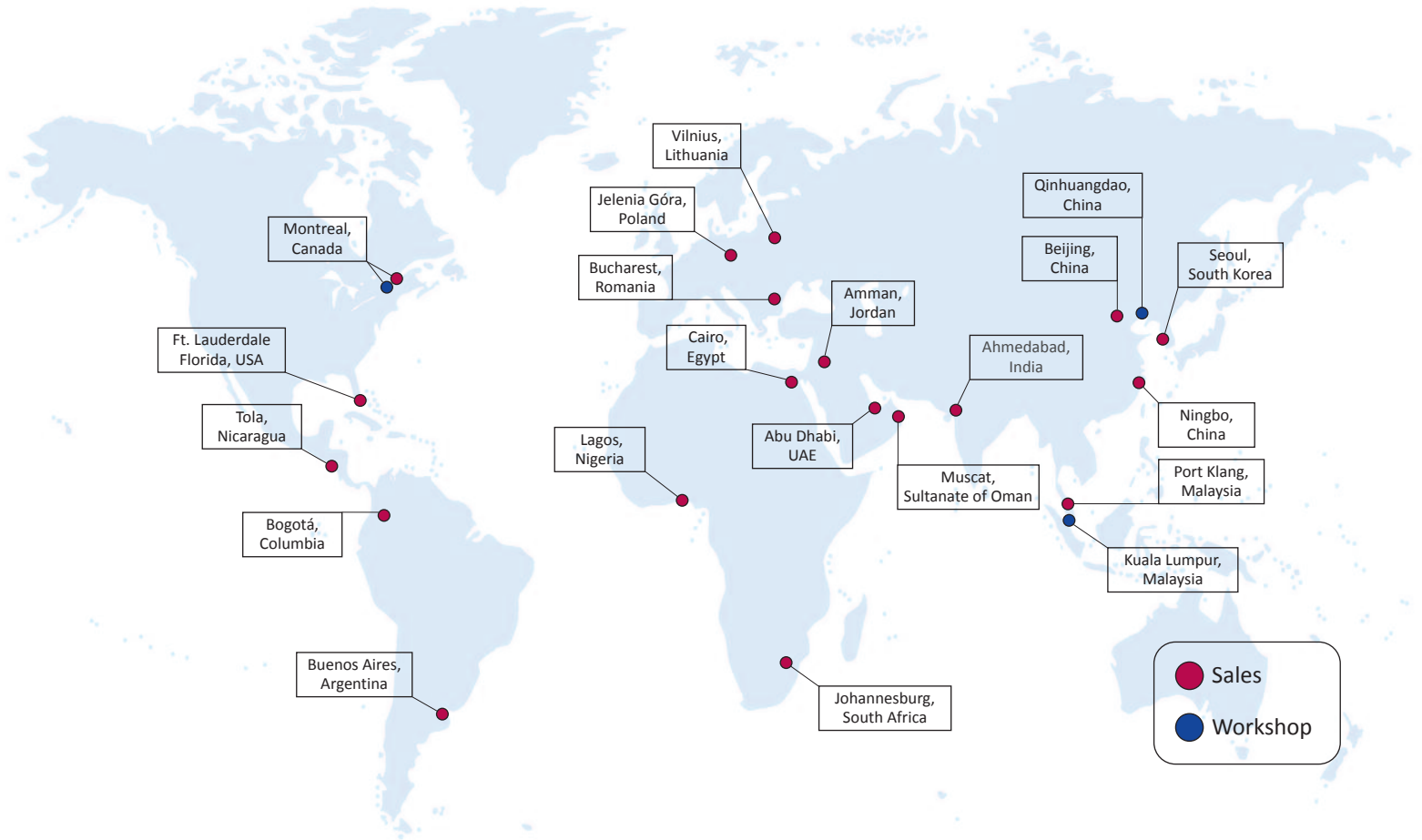
Connected

THORBURN FLEX - Canada
 165 Oneida, Pointe-Claire, Quebec
 Canada, H9R 1A9
 Tel: +1-514-695-8710
 Fax: +1-514-695-1321
 sales@thorburnflex.com



ISCIR Romania | CNCAN Romania | EN 13480-2002 | HAF 604 China | TSG China
 (CRN for all Canadian Provinces)

Thorburn's Global Presence



www.thorburnflex.com